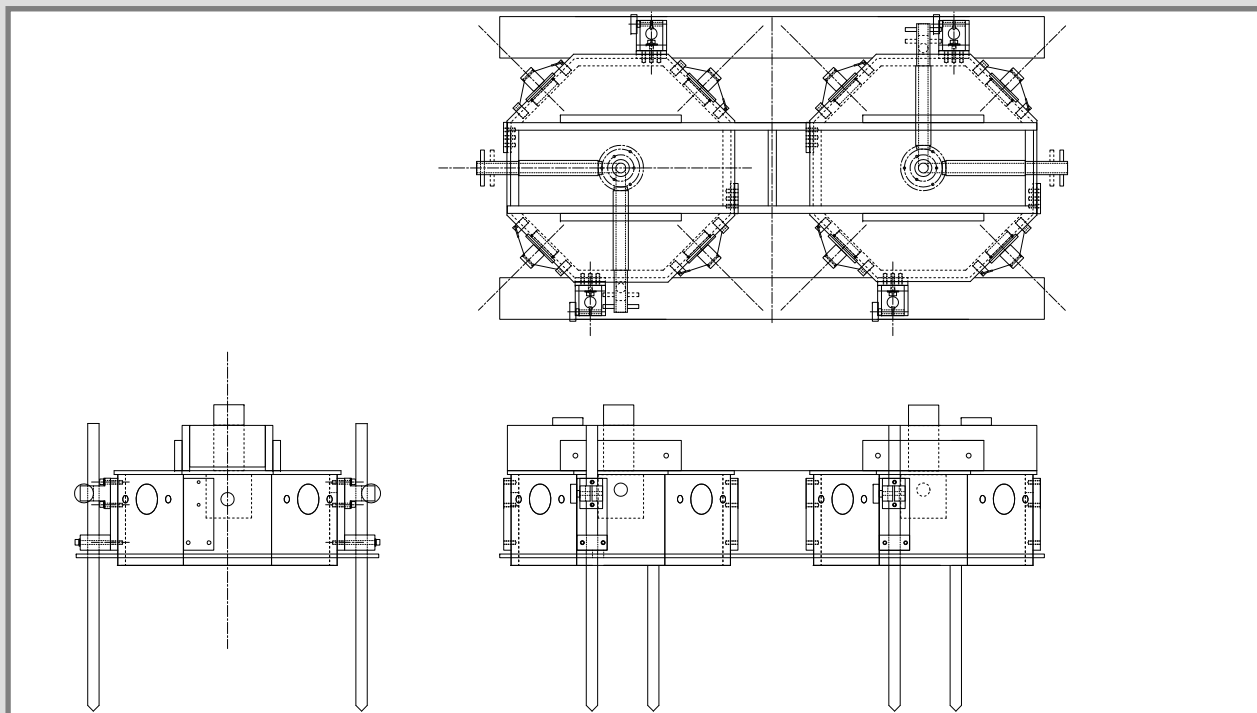




*The miracles of science®*

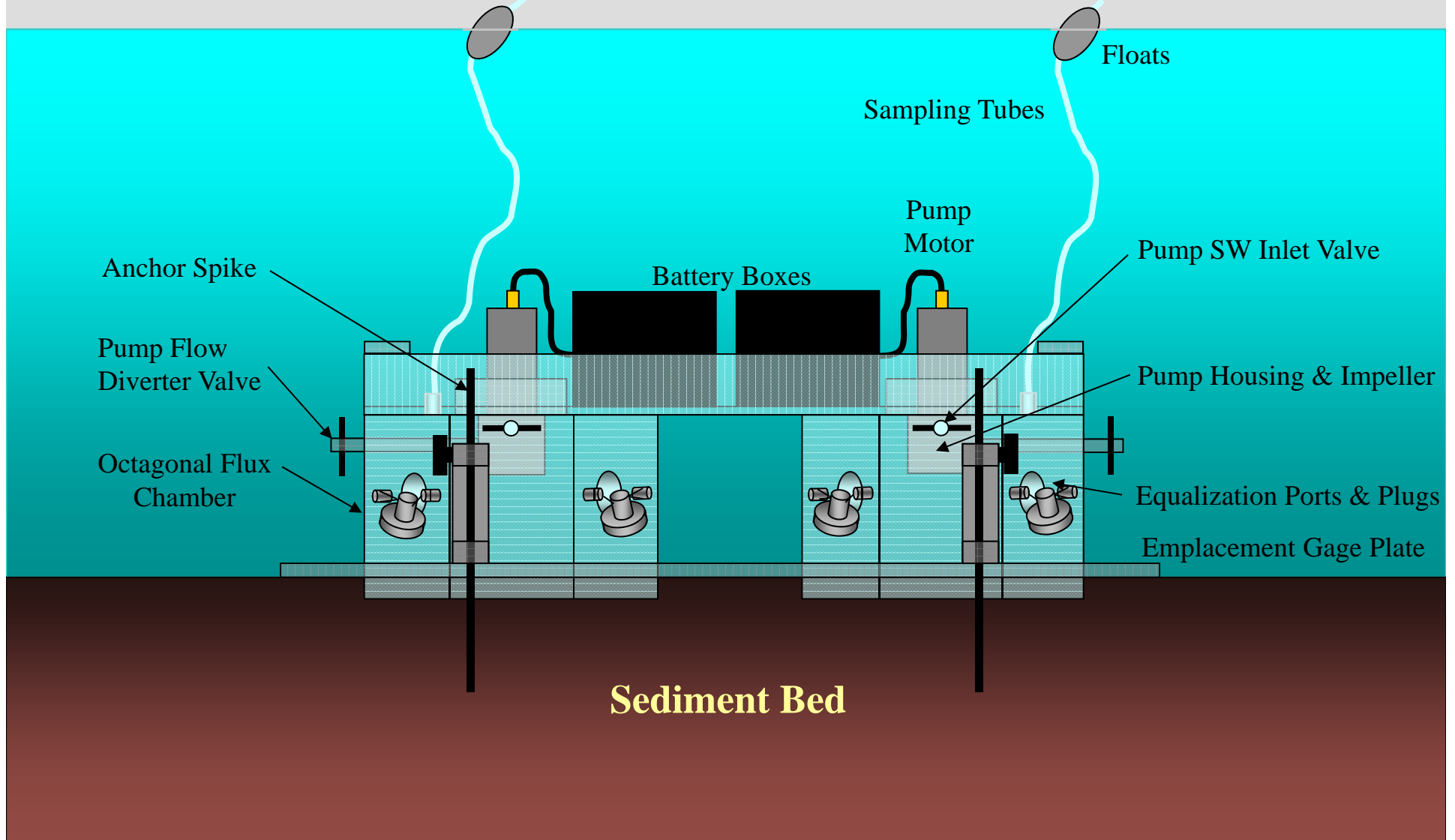
# Flux Chamber Designed For Mercury Contaminated Sediments



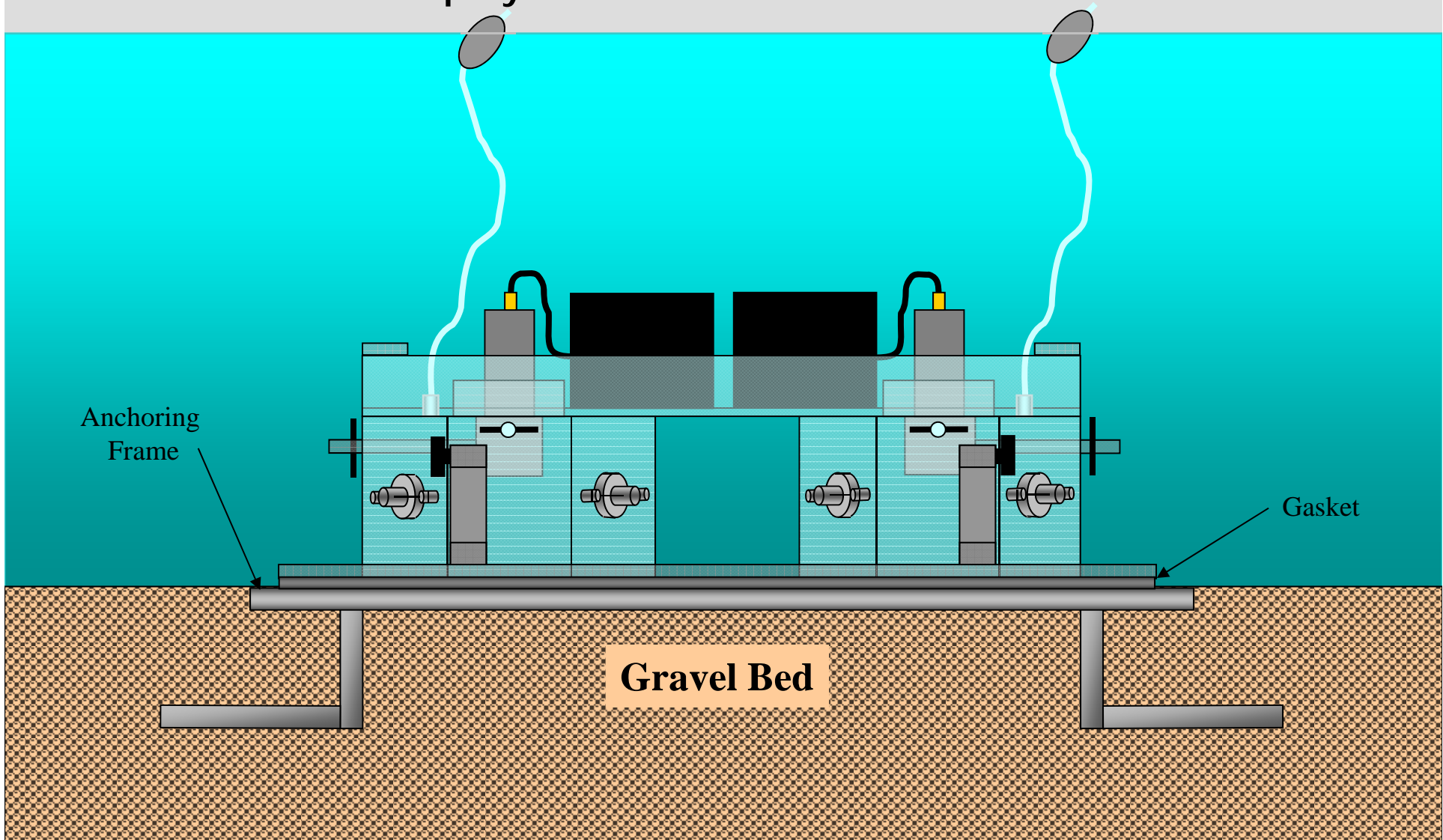
February 8, 2005

Rich Landis - DuPont

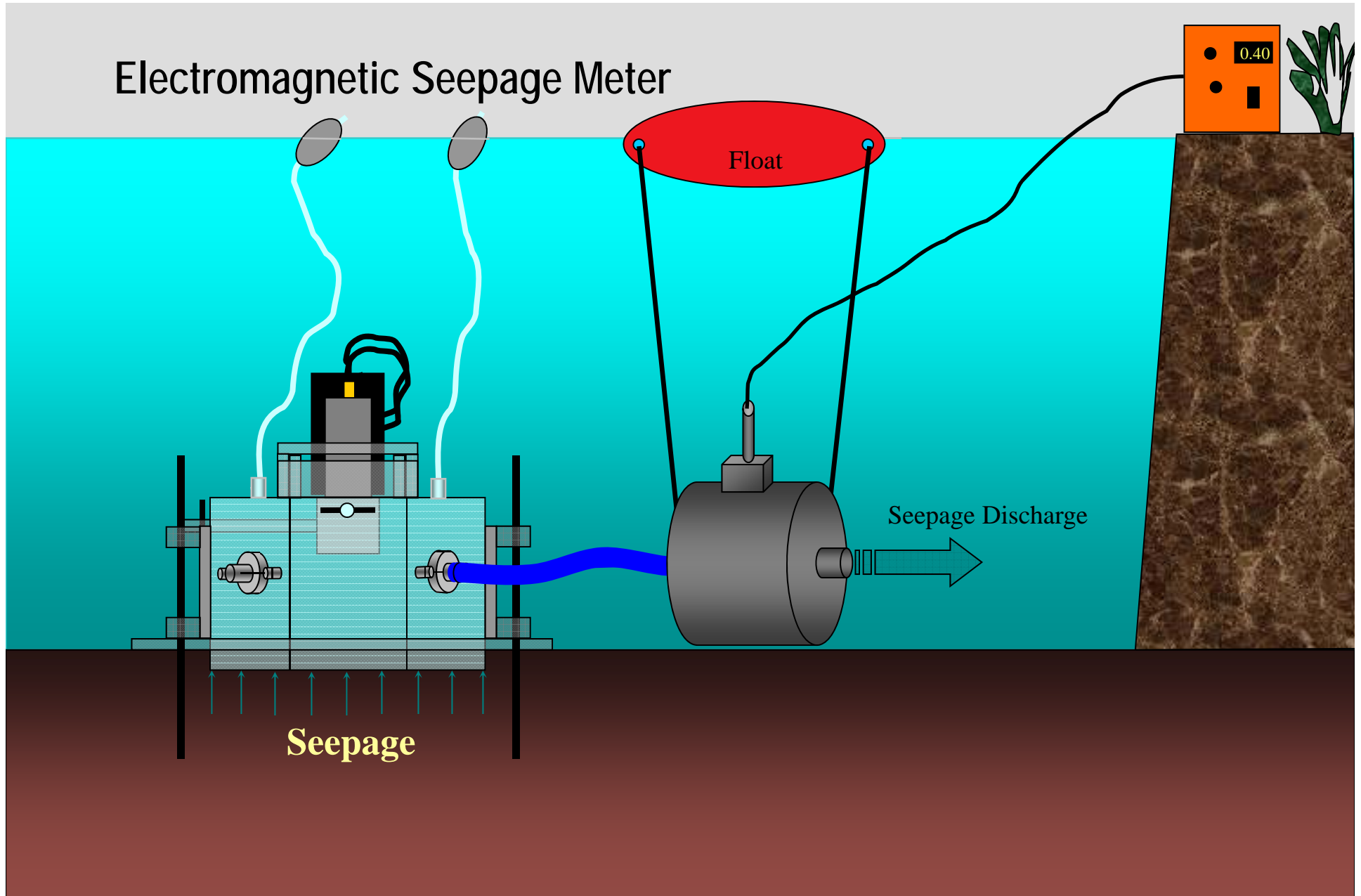
# Flux Chamber Deployment Schematic



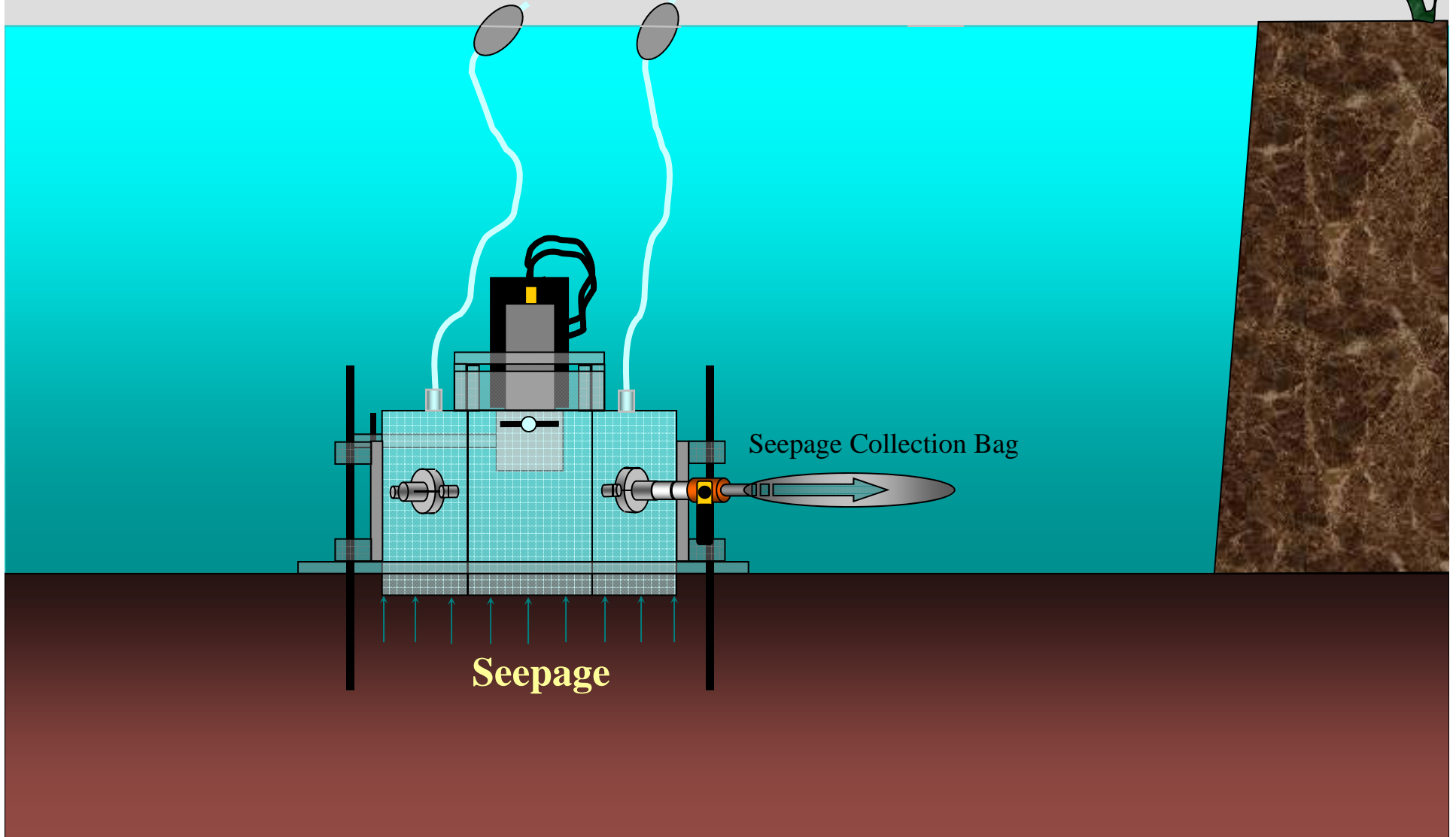
# Flux Chamber Deployment Schematic



# Electromagnetic Seepage Meter



# Mylar Seepage Collection Bag



## Path Forward

- Deploy flux chambers at roughly six locations
  - Depositional areas
  - Gravel or rock beds
- Measure methylmercury flux
- Proposed deployment trials would be in the May-June time frame
- Looking for volunteers to assist with the efforts



*The miracles of science*®